



Application area

- Food industry
- Pharmaceutical industry
- Biotechnology

Features

- High quality case with bajonet ring NS 100
- Nominal range 0...4 to 0...400 bar, -1...3 to -1...15 bar
- Conical spring precision element of Inconel X-750
- Case of stainless steel
- Degree of protection IP 65
- Accuracy class 0.6 as per EN 837-1
- Low temperature error
- Operating temperature up to 140 °C
- No parts subject to wear and tear, thus very long service life
- Maintenance free
- High overload protection up to 150 %
- Wetted parts of stainless steel; special materials upon request
- EAC declaration (upon request)

Options

- Approvals/Certificates
 - Certificate of measuring equipment for Russian Federation
 - Material certificate per EN 10204
 - Calibration certificate per EN 10204
- Various process connections with flush mounted diaphragms available

Application

The precision pressure gauge with miniature process connection is suitable for the use in applications in the pharmaceutical and biotechnology industry. The device can be fitted to a range of process connections with flush-mounted diaphragms, which allow easy installation even to small constructions and small nominal pipe sizes.

Technical data

Constructional design / case

Design:	High quality case with bayonet ring, material: st. steel mat.-no. 1.4301 (304) ventilation valve, material: PUR
Nominal size:	NS 100
Degree of protection per EN 60529:	IP 65
Case seal:	Material gasket: NBR
Window:	Non-splintering laminated glass. Option: Non-splintering plastic (Macrolon)
Measuring element:	Precision measuring element, material: Inconel X-750

System filling:	Food stuff oil FD1 Temperature range: 10...140°C for absolute pressure > 1 bar
Movement:	Stainless steel segment
Scale:	Pure aluminium, white with black inscription, precision scale class 0.6; special scale upon request
Pointer:	Pure aluminium, black, knife edge pointer with micro adjustment for zero point correction
Weight:	NS 100: approx. 0.7 kg

Process connection

Design:	Via diaphragm seal technology, see order details and product group D5
---------	---

Nominal range

See order details, further ranges upon request

Overload protection: 1.5times

Accuracy

Accuracy class: 0.6 per EN 837-1

Temperature influence: Temperature error (diaphragm seal system)

Screw-in thread G1/2 A 6 mbar / 10 K

Screw-in thread G3/4 A 4 mbar / 10 K

TriClamp 3/4" 8 mbar / 10 K

TriClamp 1" 6 mbar / 10 K

Clamp ISO 2852 1" 6 mbar / 10 K

Clamp DIN 32676 DN 25 6 mbar / 10 K

Neumo BioControl Gr. 25 3 mbar / 10 K

A detailed calculation of accuracy can be submitted upon request.

Temperature ranges

Ambient: 10...50°C

Media: 10...140°C

Storage: -40...70°C

The maximum values can be restricted by the following parameters:

- Diaphragm size
- Measuring range
- Pressure transmission fluid

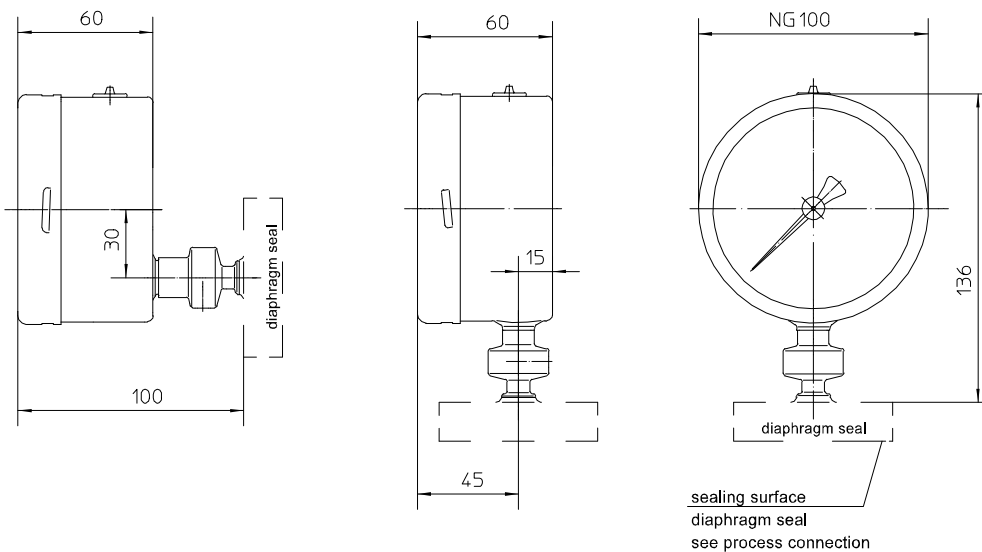
Extended temperature range upon request.

Tests and certificates

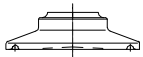
- EAC declaration (upon request)
- Certificate of measuring equipment for Russian Federation

Information on other models see order details or upon request.

Dimensions



process connection
diaphragm seal



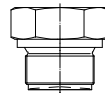
clamp connection

data sheet D5-026



Neumo BioControl Gr.25

data sheet D5-024-2



connection per DIN 3852

data sheet D5-032

Order details

Precision pressure gauges with flush mounted miniature process connection, Type series BH62..

Order details BH62..		
BH6200	case design	IP 65
BH6210	NS 100	process connection bottom
		process connection at back
A56	nominal range [bar]	0...4
A57		0...6
A58		0...10
A59		0...16
A61		0...40
A62		0...60
A63		0...100
A64		0...160
A65		0...250
A66		0...400
A89		-1...3
A90		-1...5
A91		-1...9
A92		-1...15
D...		Process connection via diaphragm seal technology (see product group D5)

Additional features (to be indicated if required)		
T2	marking	on scale (please specify)
T3		fixed reference pointer (please specify)
W1020	material certificate	per EN 10204-3.1, wetted parts
W1204	calibration certificate	per EN 10204-3.1, 3 measuring points
W1201		per EN 10204-3.1, 5 measuring points
W2673	certificate of measuring equipment for Russian Federation	

Order code (example): BH6200 – A92 - ...